



# ELECTRONIC DIGITAL PULSE TRANSMITTERS FOR MECHANICAL FLOWMETERS

## DIGITAL TRANSMITTERS

Digital transmitters produce signals that exist only in one of two states: ON or OFF. These states may also be referred to as HIGH or LOW, or 1 or 0 (zero).

### MODEL VR7697 (Models 35 & 45)

This economical and versatile bidirectional digital pulse

transmitter provides 10 pulses per revolution with excitation power of 115-250 VAC or 12-36 VDC, making it compatible with most remote read-out equipment.

### MODEL VR7671 (HR) (Models 35 HR & 45 HR)

This solid state Hall Effect digital pulse transmitter provides 100 pulses per revolution. Note that input (excitation) power is limited to 10-15 VDC.

## NEPTUNE DIGITAL PULSE ELECTRONIC TRANSMITTER DATA

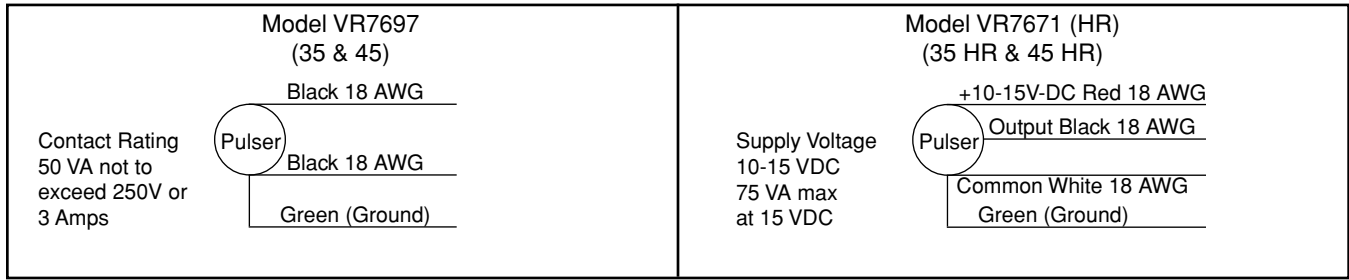
Model No.	Type Of Device	Contact	Pulses per Revolution	Max Speed: Hz (RPM) (2)	Contact Rating (2)	Enclosure Rating	Input Voltage	Remarks
VR7697	Dry Reed Bi-directional	SP/ST	10	50 (300)	50 VA resistive (not to exceed 250v or 3 amp)	U.L., CSA X-proof Class I, Div 1 Groups C&D	110 & 250 VAC 12-36 VDC	Models 35 and 45
VR7671 (HR)	Hall Effect Uni-directional	Solid State	100	1000 (600)	.75 VA max. non-inductive (not to exceed 15VDC or .05A)	U.L., CSA X-proof Class 1, Div. 1 Groups C&D	10-15 VDC	Models 35 HR and 45 HR

**Notes:**

(1) All above units are compatible with Batchmate 1500 Solid State Controller (see TS 500)

(2) a. Max speed in pulses per revolution, Hz, and RPM limits from Manufacturers' data

## WIRING DIAGRAMS



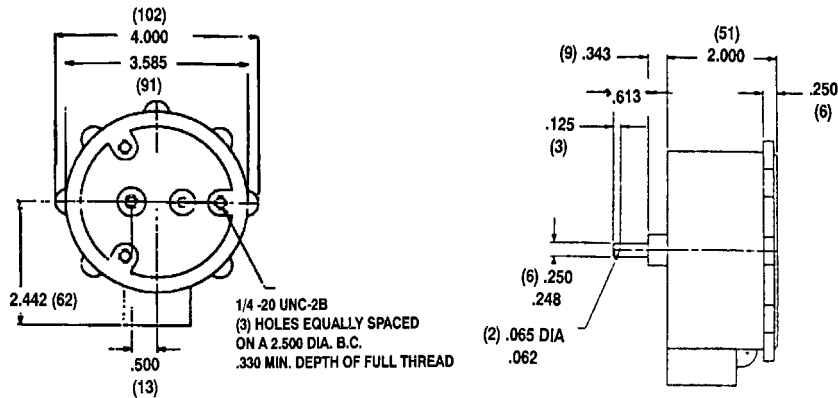
## NEPTUNE ELECTRONIC TRANSMITTER Operating and Storage Temperature Data

Model No.		VR7697 (35 & 45)	VR 7671 (HR) (35 HR & 45 HR)
<b>Operating</b>	°C	-40 to +71	-40 to +82
	°F	<b>-40 to +160</b>	<b>-40 to +180</b>
<b>Storage</b>	°C		-55 to +125
	°F		<b>-67 to +257</b>

## DIMENSIONS

in (mm)

### Model VR7697 & VR7671 (HR) (35 & 45) (35 HR & 45 HR)



## CURRENT SOURCING -vs- CURRENT SINKING

**Current Sourcing:** sensor supplies the voltage to the count input. Sourcing sensors are PNP transistor outputs or a contact closure to V+.

**Current Sinking:** sensor provides a path to DC common for the count input. Sinking sensors are NPN transistor outputs or a contact closure to DC common.

**Compatibility:** Both sourcing and sinking digital pulse transmitters offered by Neptune are fully compatible with the Neptune BATCHMATE 1500™ electronic batch controllers, which can be set by DIP switches in the device at the factory or in the field to match the transmitter.

ISO 9001: 2000



Certificate Reg. No. 74 100 2708

### U.S.A./International

1310 Emerald Road  
Greenwood, SC 29646-9558  
Tel.: Toll-Free (800) 833-3357  
(864) 223-1212  
Fax: (864) 223-0341

© 2005 Actaris U.S. Liquid Measurement, Inc. 400 5/05

Specifications subject to change without prior notification.

