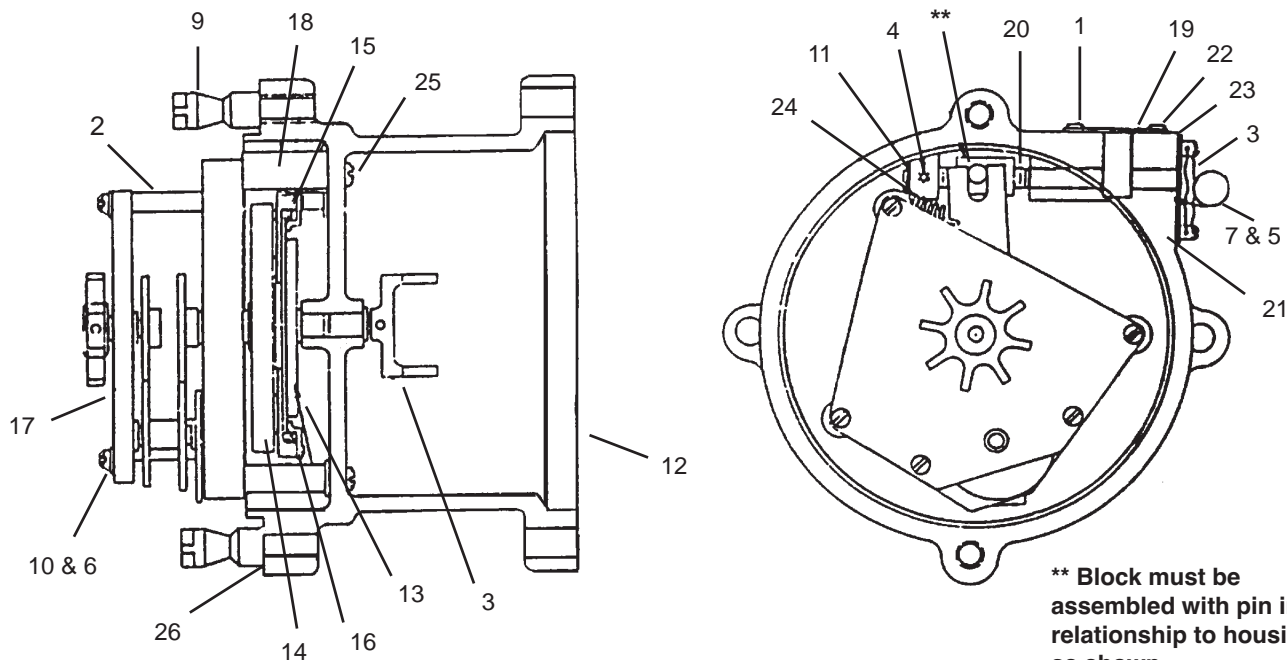


## Parts List for ~~neptune~~ Model 300 External Calibrator



**\*\* Block must be assembled with pin in relationship to housing as shown.**

Index	Description	Part Number
1	Screw, 6-32 x 1/4 Binding Head	008367-004
2	Spacer, 0.25 Dia. x 2.50 Lg-Threaded	008339-110
3	Screw, 6-32 x 5/16 Lg Fil HD - Drilled	008460-014
4	Screw, Set 6-32 w/ Nylon Tip	008538-030
5	Wire Sealing 1000 Ft	041110-000
6	Washer Lock 8 Internal CD PL STL	008564-030
7	Seal Red Seal Gas Meter	042095-002
8	Fork Assembly Drive w/ Set	082592-002
9	Stud Reg Mounting 800 Series	084435-000
10	Screw, 8-32 x 1/2 BD Head	008383-002
11	Ring Retaining Reg Unit 800 Series	088461-000
12	Housing Assembly, Calibrator	100912-001
13	Ratchet and Shaft Assembly, Calibrator	100914-001
14	Arm Assembly, Pivot	100917-001
15	Ratchet Arm Assembly, No. 1	100922-001
16	Ratchet Arm Assembly, No. 2	100922-002
17	Drive Assembly, Output	100928-001
18	Block and Pin Assembly, Adjusting	100935-001
19	Indicator, 1 Percent Mark	100937-001
20	Screw, Adjusting 1/4 - 28 UNF	100938-001
21	Plate, 1/10 Percent Division	100939-001
22	Plate, 1 Percent Division	100940-001
23	Nameplate, Calibrator	100941-001
24	Spring, Pivot Arm	100942-001
25	Screw, 8-32 x 3/4 Lg Fil HD-STL CAD	008380-009
26	Adhesive, Loctite 271	100441-004

**Specify Genuine Neptune Replacement Parts**

**U.S.A./International**  
1310 Emerald Road  
Greenwood, SC 29646-9558  
Tel.: Toll-Free (800) 833-3357  
(864) 223-1212  
Fax: (864) 223-0341

© 2005 Actaris U. S. Liquid Measurement Division, Inc. 200 6/05

Specifications subject to change without prior notification.

