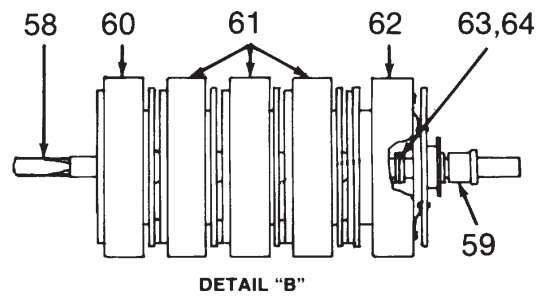
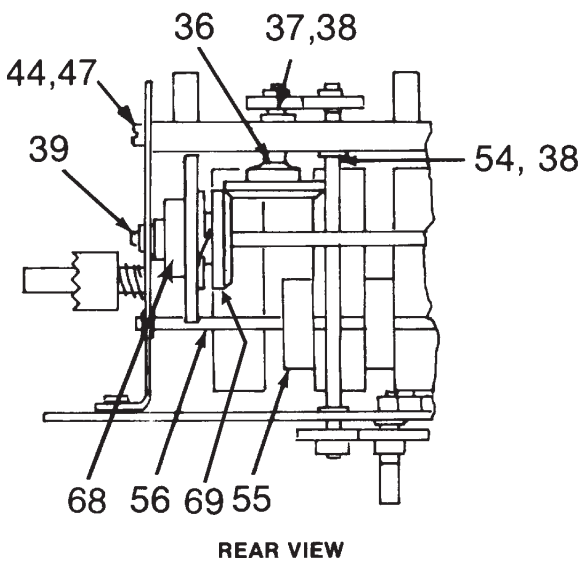
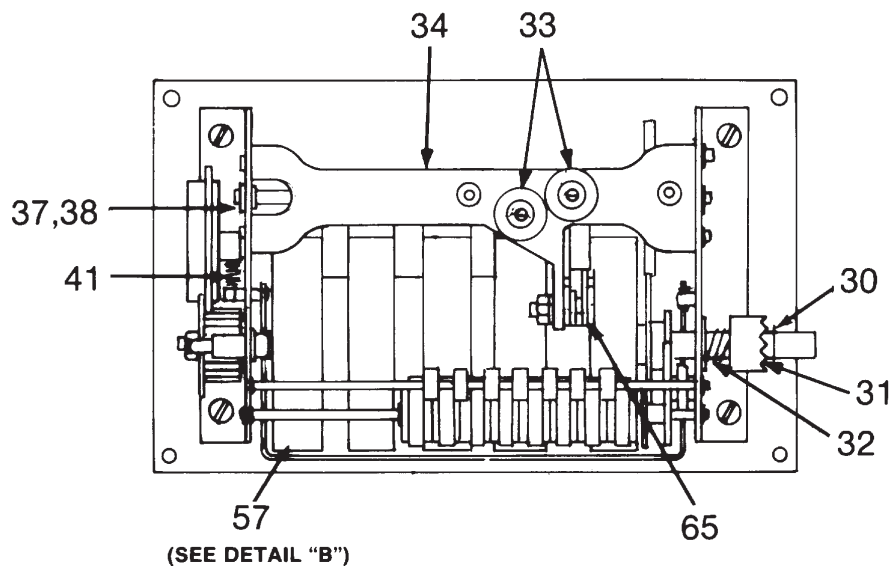
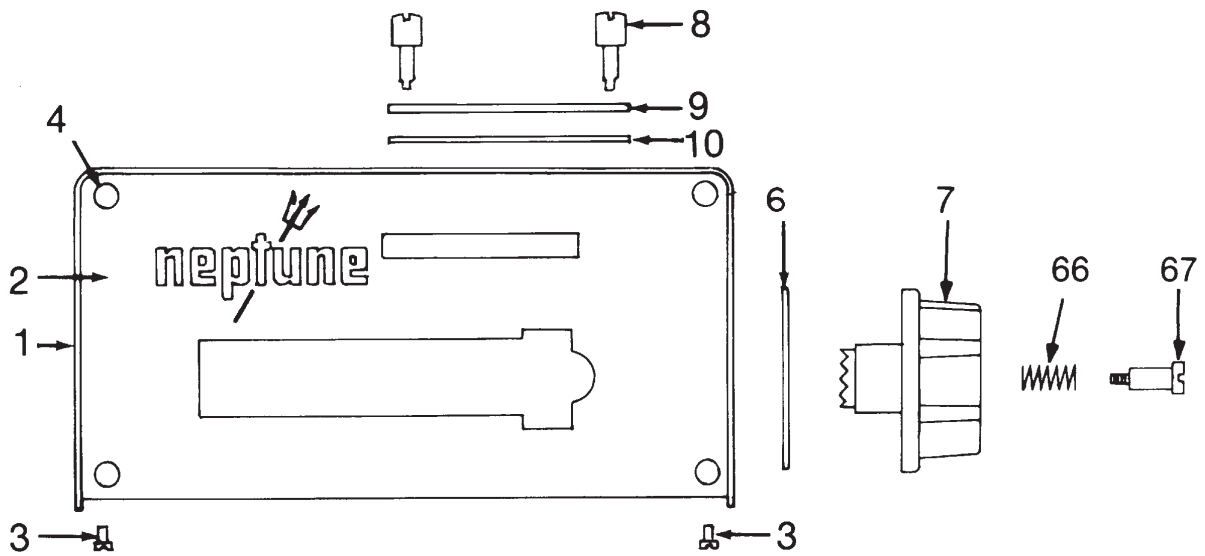


P-390
Rev. E
Model 600 Series Registers

Itron

neptune 600 Series Register Parts List

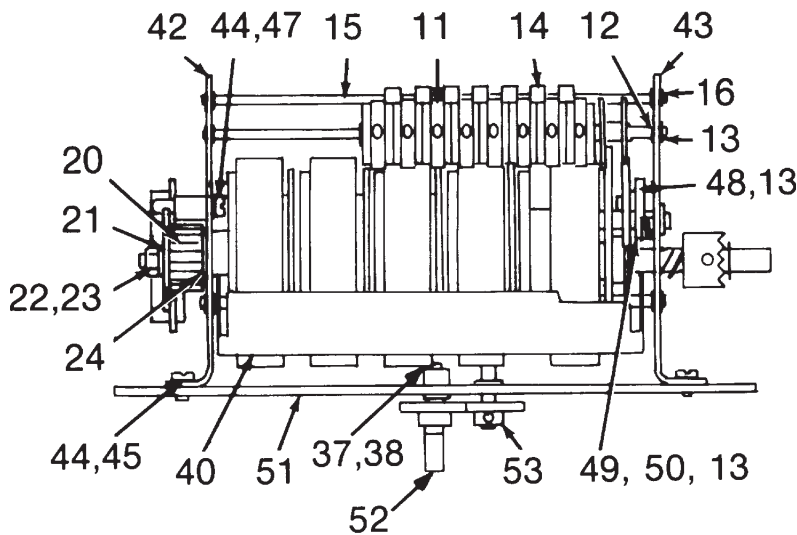
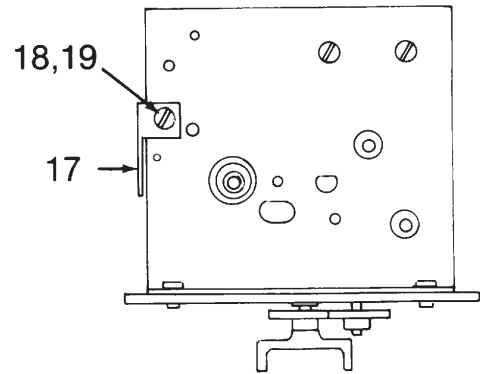
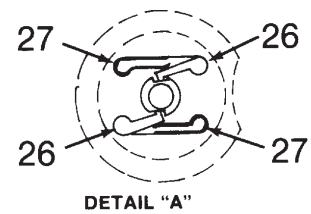
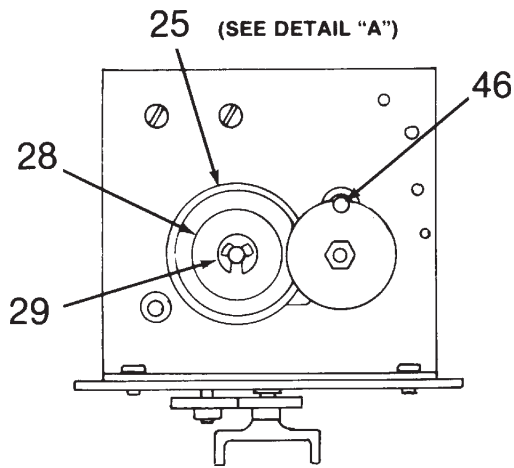




600 SERIES REGISTER

Index	Part No.	Description	Used On	Index	Part No.	Description	Used On
	100498-001	Register Complete, Gal. Tenths	AAAAA				CDCAF
	100498-002	Gal, Units	ABAAA	40	100482-001	Shutter	All
	100498-003	Lbs, units	BBAAA	41	100472-001	Spring, Extension	All
	100498-005	Litres, Units	CBAAA	42	100489-001	Sideplate Assy, Left	All
	100498-007	Kg, Units	FBAAA	43	100488-001	Sideplate Assy, Right	All
	100498-009	Gal, Quad Zero	AEAAD	44	100122-007	Washer, Lock, Internal Tooth No. 10	All
	100498-010	Litres, Units w/Tenths Grads	CDAAD	45	2023-001	Screw, 10-32 x 1/4 fil hd st	All
	100498-011	Gal, Quad Zero for 3/4" ATC	AEAAF	46	100877-001	Stud, Anti-Reset	All
	100498-012	Lirres, Hundredths, Two Way Drive	CFCAD	47	88524-000	Screw, 10-32 x 3/8	All
	100498-013	Litres, Units w/Tenths, Two Way Drive for 3/4" ATC	CDCAF	48	88516-001	Ratchet Wheel and Gear Assy (36-tooth)	All
	100498-014	Gal, Tenths, Two Way Drive	AACAA	49	88988-000	Pawl, Non-Reverse	All
	100498-015	Litres, Units w/Tenths, for 3/4" ATC	CDAAF	50	600165-000	Spring, Pawl	All
	100498-016	Gal, Tenths	AAAAAD	51	100493-001	Bottom Plate Assy	All
	100498-018	Gal, Tenths for 1" w/ATC	AAAAAF				except AAAAF,
1	100476-001	Housing Complete	All				AEAAF,
2	100553-201	Mask, Gallons	AAAAA, ABAAA, AEAAD, AEAAF		100493-002	Bottom Plate Assy for ATC	CDCAF AEAAF, CDCAF
	100553-202	Pounds	BBAAA				AEAAF, CDCAF
	100553-203	Litres	CBAAA, CDAAD, CDCAF	52	100494-001	Shaft Assy, Input	All except AEAAD, CDAAD,
	100553-204	Litres, Fixed "O"	CCAAA				AAAAF,
	100553-205	Pounds, Fixed "O"	BCAAA				AEAAF,
	100553-206	Kilograms	FBAAA				CDCAF
	100553-207	Litres, Hundredths	CFCAD				AEAAD, CDAAD,
3	8328-014	Screw, No. 6 Self Tapping	All		100494-002	Shaft Assy, Input	AEAAD, CDAAD,
4	101328-001	Single Head Clip	All				CFCAD
6	100481-001	Seal Reset Knob	All				All
7	101043-001	Knob, Reset	All	53	100495-001	Gear, 32-tooth with setscrew	AEAAF, CDCAF
8	9287-003	Screw, Register Box	All				AEAAF, CDCAF
9	100735-001	Plate, C/G Cover	All				AEAAF, AAAAF, CDCAF
10	100734-001	Gasket, C/G Cover	All, AAAAAD AAAAAF		101071-001	Gear, 35-tooth with setscrew	AEAAF, AAAAF, CDCAF
	100457-004	Totalizer Wheel Bank Comp, Tenths	AAAAA	54	100466-002	Shaft, Vertical Input	All
	100457-005	Totalizer Wheel Bank Comp, Units	ABAAA, BBAAA, BCAAA, CCAAA, CDAAD, FBAAA, CBAAA, CFCAD, CDCAF	55	88361-002	Pinion, 8-tooth Celcon	All
			AEAAD, AEAAF	56	100468-001	Shaft, Pinion	All
				57	100343-029	Wheel Bank Complete, Tenths	AAAAA, AAAAAD, AAAAAF
	100457-006	Totalizer Wheel Bank Comp, Quad Zero	AEAAD, AEAAF		100343-005	Wheel Bank Complete, Units	ABAAA, BBAAA, CBAAA, FBAAA
12	45779-000	Shim, 0.0056 Thk	All		100343-030	Wheel Bank Complete, Quad Zero	AEAAF AEAAD
13	88461-000	Ring, Retainer	All		100343-031	Wheel Bank Complete, Hundredths	CFCAD
14	1228-000	Pinion, Totalizer, 8-tooth	All		100343-054	Wheel Bank Complete Units w/Tenths	CDCAF CDAAD
15	100469-001	Shaft, Totalizer Pinion	All				All
16	88460-000	Ring, Retainer	All	58	100455-001	Shaft, Numeral Wheel	All
17	100483-001	Indicator	All	59	88749-000	Sleeve, Drive Gear	All
18	41765-000	Screw, No. 6 x 3/16 Bind. hd	All	60	100342-001	Register Wheel, No. 5	All
19	8566-003	Washer, Flat	All	61	100341-001	Register Wheel, Nos. 2, 3 & 4	All
20	88197-002	Gear, Reset (18-tooth)	All	62	100339-029	Register Wheel, No. 1, Tenths	AAAAA
21	100474-001	Plate, Hold-out	All		100339-005	Register Wheel, No. 1, Units	ABAAA, BBAAA, CBAAA, FBAAA
22	601051-001	Belleville Washer Spring	All				
23	41981-000	Nut, 1/4-28 (left-hand)	All				
24	8571-009	Washer, Flat	All				
25	100452-001	Gear, Reset (36-tooth)	All				
26	88359-100	Pawl, Reset	All		100339-030	Register Wheel, No. 1, Quad Zero	AEAAD, AEAAF
27	88223-000	Spring, Reset	All				CFCAD
28	100473-001	Plate Cover	All		100339-031	Register Wheel, No. 1, Hundredths	CDAAD
29	88463-000	Ring, Retainer	All		100339-054	Register Wheel, No. 1, Units w/Tenths	CDCAF
30	8579-027	Ring, Retainer	All				All
31	100894-002	Reset Hub Assy	All	63	88319-001	Washer, Plain	All
32	100024-004	Spring Compression	All	64	88320-000	Washer, Snap	All
33	81230-X	Change Gear (Give No. of teeth)*	All	65	100344-002	Zero Stop Pawl Assy	CDAAD AAAAAD, AAAAAF,
34	100490-002	Gearplate Assy	All				CFCAD,
36	100492-002	Shaft Assy, Intermediate	All				AEAAF, CDCAF,
37	88462-000	Ring, Retainer	All				AEAAD
38	46652-001	Shim, 3/8 OD, 0.1985 ID	All				All
39	100464-001	Shaft Assy, One-Way Drive	All except CFCAD, CDCAF	66	100024-006	Spring Compression	All
			CDCAD	67	101045-001	Screw, Reset Knob	All
	100464-003	Shaft Assy, Two-Way Drive	CDCAD	68	100451-001	Gear, 48T and 24T ratchet With Cam	All
				69	100471-001	Gear, Bevel/Clutch Assy	All

*See Change Gear Selection System: "TSG310"



Units of Measure (1st Key Letter)

- A Gallons
- B Pounds
- C Litres
- D Litres/Fixed "0"
- E Pounds/Fixed "0"
- F Kilograms

Register Unit (2nd Key Letter)

- A Tenths Wheel
- B Units Wheel
- C Double Digit Wheel
- D Units w/Tenths Grads
- E Quadruple Zero
- F Tenths w/Hundreths Grads

Base (3rd Key Letter)

- A Standard Rotation (CCW, Viewed From Top)
- B Reverse Rotation (CW, Viewed From Top)
- C Two-Way Drive

Housing (4th Key Letter)

- A Standard housing
- B Housing to Accommodate Model 44 Pulser
- C Housing to Accommodate Zero Set-Back Interlock

Special Features (5th Key Letter)

- A None
- B Auxiliary Output Shaft for Driving Model 44 Pulser
- C Internal Pulser
- D Weights & Measures Type
- E Zero Set-Back Interlock
- F 3/4" 4D and 1" 4D-MD w/ATC
- G Special Gear Reduction on Bottom Plate for Litres on Oval Wheel Meter
- H Weights & Measures for Tokheim 682 Meter

U.S.A./International
1310 Emerald Road
Greenwood, SC 29646-9558
Tel.: Toll-Free (800) 833-3357
(864) 223-1212
Fax: (864) 223-0341

© 2009 Itron, Inc 500 8/09

Specifications subject to change without prior notification.

Itron!